

TOUCAN 10E

MAST BOOM LIFT

JLG
reachingout®

Performance

| | |
|--------------------------------|---------------------------------------|
| Working Height | 10.10 m |
| Platform Height | 8.10 m |
| Working Outreach | 3.38 m |
| Up and Over Height | 6.51 m |
| Swing (not continuous) | 345 Degrees |
| Platform capacity | 200 kg (2 persons indoor and outdoor) |
| Jib-Overall Length | 1.60 m |
| Jib-Range of Articulation | 126° (+65°/ -61°) |
| Standard Platform Size (L x W) | 0.70 x 0.90 m |
| Drive Speed Lowered | 5.5 km/h |
| Drive Speed Elevated | 0.75 km/h |
| Drive Speed Full Elevation | 0.40 km/h |
| Turning Radius (Outside) | 1.99 m |
| Turning Radius (Inside) | 0.55 m |
| Gradeability | 25% |
| Machine Weight | 2,980 kg |

Standard Specifications

Power

| | |
|-------------------|----------------|
| Electrical System | 24V DC |
| Batteries (AGM) | 24V-240A/hr |
| Charger | 24V- 27A |
| Drive Motors | Dual AC motors |
| Brakes | Disc |

Tyres

| | |
|---------------------------|--------------|
| Tyres (Non-Marking Solid) | 406 x 125 mm |
|---------------------------|--------------|

Hydraulic System

| | |
|-------------------------|-------------|
| Electrical (Pump) Motor | 3 kW 24V DC |
| Hydraulic System | 7.5 L |

Standard Features

- Heavy Duty Steel Roller Mast with 345 Degrees Rotation
- Chain Slack Detection System
- 2.5 Degree Tilt Alarm and Indicator Light
- 406 x 125 Solid Non-Marking Tyres
- Passive Pothole Protection System
- 0.99 m Wide Frame
- Lifting/Tie Down Rings
- Ground Control Selector Switch with Key Lock
- Battery Discharge Indicator
- Hourmeter
- Horn
- Drive Orientation System
- Lanyard Anchor Points
- Zenon Strobe Light
- Acoustic Alarm
- Manual Descent System
- Brushless AC Drive Motors
- On Board Diagnostics with Integral Display

Accessories & Options

- 8 mm Air Line to Platform
- Platform Work Lights
- AC Outlet to Platform with ELCB



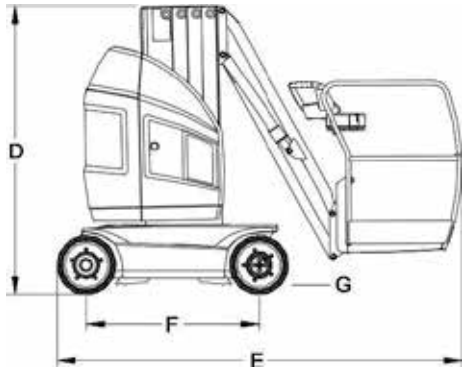
TOUCAN 10E

MAST BOOM LIFT

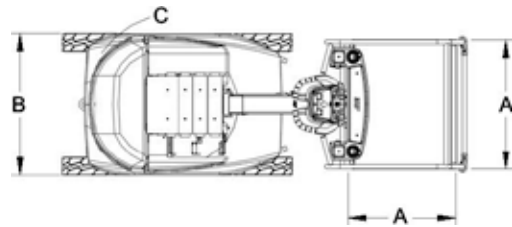


Dimensions

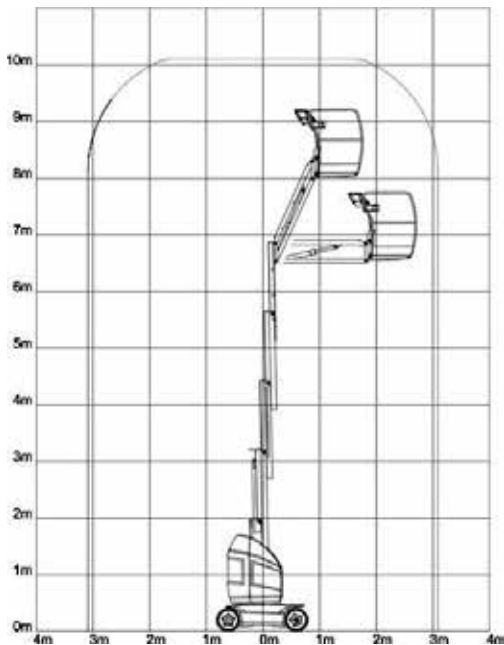
All dimensions are approximate.



| | |
|---|---------------|
| A. Platform size standard platform (L x W) | 0.70 x 0.90 m |
| B. Overall width | 0.99 m |
| C. Tailswing | 12 cm |
| D. Stowed height | 1.99 m |
| E. Overall length | 2.82 m |
| F. Wheelbase | 1.20 m |
| G. Ground clearance | 10.0 cm |



Reach Diagram



The JLG "1 & 5" Warranty

JLG Industries, Inc. backs its products with its exclusive "1 & 5" Warranty. We provide coverage on all products for one (1) full year and cover all specified major structural components for five (5) years. Due to continuous product improvements, we reserve the right to make specification and/or equipment changes without prior notification. This machine meets or exceeds AS/NZS 1418.10 2011 as originally manufactured for intended applications.



JLG Industries (Australia)

358 Park Road
Regents Park, NSW 2143
Telephone 02 8718 6300
Fax 02 8718 6377
www.jlg.com.au

An Oshkosh Corporation Company