

AX MecALAC



MecALAC



AX



For decades, MECALAC has been developing and producing high-quality and innovative wheel loaders at the Büdelsdorf site in Northern Germany.

With our articulated loaders, four-wheel steered front loaders and four-wheel steered swing loaders, we are the only manufacturer to offer all concepts for compact loaders. At MECALAC you can choose the best suitable solution for your application.

Since long time, articulated loaders have been an integral part of MECALAC's wheel loader portfolio. Developed to meet explicit customer requirements, the articulated AX models come with cutting edge technology components. They are characterised by intuitive operation and robustness.

**EXPERIENCE
OF YOUR WORKSITE**

AX 700 / 850 / 1000

INNOVATION, PERFORMANCE AND TOP QUALITY ARE THE KEY TO CUSTOMER SATISFACTION

For the AX series, customer benefit, convenience and performance are predominant features. Innovative, customised detail solutions paired with series-production components are convincing arguments in favour of the AX. This guarantees a good cost-benefit ratio.

SUMMARY

+



6 LET'S HAVE A LOOK AT YOUR ADVANTAGES



8 MONOBOOM





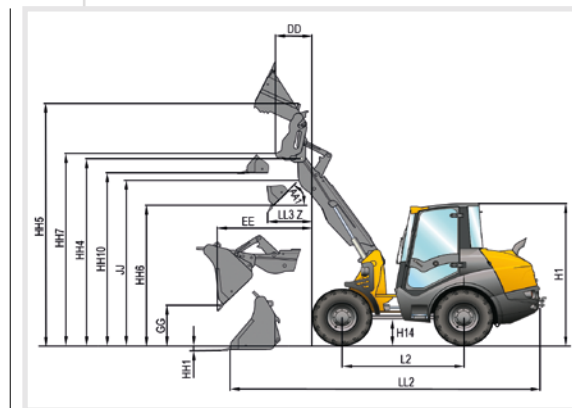
10 SELF STABILISING CONCEPT



12 PANORAMA CAB



14 TECHNICAL DATA



LET'S HAVE A LOOK AT YOUR **+** ADVANTAGES

IDEAL FOR ANY KIND OF WORKSITE

The efficient series of articulated loaders with bucket volumes from 0.7 to 1.5 m³ is an asset for every assignment. Coming with bucket widths of 1.60 – 1.85 m, it is an ideal loader with top performance, even for confined worksites. With a height of less than 2.50 m, transporting the loader at an overall height of 4.0 m is possible. This ensures easy and cost efficient transport.

A highlight of the machine is the temperature-dependent fan control. It ensures the lowest noise emission and minimal fuel consumption. The new MECALAC AX series convinces with durability, low running costs, ease of operation, simplified maintenance and, last but not least, an attractive design.

- **COMFORTABLE CAB
WITH ALL-ROUND VISIBILITY**
- **MAXIMUM TRAVELLING COMFORT THANKS
TO AUTO-STABILISED OSCILLATION**
- **INTELLIGENT COOLING CONCEPT WITH
HYDRAULIC ON DEMAND FAN CONTROL**
- **OPTIMUM FRONT AND REAR VIEW DUE
TO MONOBOOM AND COMPACT REAR END**
- **MONOBOOM WITH POWERFUL
PROTECTED Z-KINEMATICS**
- **ELECTROHYDRAULIC BRAND-
COMPATIBLE QUICK-COUPLER**
- **EXTENSIVE RANGE OF ATTACHMENTS**







POWERFUL MECALAC MONOBOOM



MONO-BOOM

POWERFUL
SAFE
PERFORMANCE

ONE ARM, MUCH POWER

The rigid, sleek monoboom of the AX series features high tear out forces. Cables and hoses are protected and out of the driver's field of vision. The protected, internal Z-kinematics allows perfect parallel guidance of the attachments.

This translates to a high degree of safety, in particular when loading pallets. Fast cycles and an unrivalled view on the attachments make daily work even more efficient.





STABLE
MECALAC SELF STABILISING CONCEPT



PERFECT ON ROUGH TERRAIN

POWERFUL DURING OPERATION

The MECALAC concept consists of a self-stabilising articulated pendulum joint that transfers the centre of gravity of the rear end to below the pendulum axis. The resulting self-stabilisation of the pendulum motion not only increases the stability but also translates to better driving comfort and optimum stability on all terrain.





SPACIOUS MECALAC PANORAMA CAB



360°
ALL-ROUND
VISION

CONSTRUCTION, A THING OF THE PAST

The spacious cabin and the ergonomically laid out controls offer a convenient workplace for long-term work. Large tinted windows ensure an excellent all-round visibility. The panorama roof allows for an exact overhead view, for example for truck loading.

A multi-position comfort seat, glove-box with ample storage space and a powerful 3-stage ventilation and heating system make daily work a pleasure.

Due to a great number of equipment options, individual demands on the interior features can be fulfilled.



**SIMPLE
CONVENIENT
TIMELESS**





	AX 700	AX 850	AX 1000
OPERATING WEIGHT:	4710 KG	5050 KG	5410 KG
ENGINE POWER:	50 KW / 68 HP	50 KW / 68 HP	55,4 KW / 75 HP
BUCKET CAPACITY:	0.70 – 1.20 m ³	0.85 – 1.50 m ³	1.00 – 1.60 m ³

- MONOBOOM (MECALAC SINGLE ARM POWER) WITH HYDRAULIC QUICK-COUPLER
- POWERFUL Z-KINEMATICS
- MECALAC SELF STABILISING CONCEPT
- MECALAC PANORAMA CAB WITH REMOVABLE CABIN TOP

- POWER-CONTROLLED HIGH-PERFORMANCE HYDROSTATIC DRIVE
- PLANETARY AXLES WITH MANUALLY SWITCHED 100% DIFFERENTIAL LOCK ON FRONT AND REAR AXLE
- SMOOTH JOYSTICK OPERATION
- EXTENSIVE RANGE OF ATTACHMENTS

ENGINE	AX 700	AX 850	AX 1000
Low-noise, water-cooled Deutz TD 2.9 L4 turbo diesel engine. Common Rail injection system, cooled external exhaust gas recirculation and diesel oxidation catalyst (DOC). No regeneration necessary.	•	•	•
Net power at	2300 rpm	2300 rpm	2300 rpm
acc. to ISO 14396	68 hp/50 kW	68 hp/50 kW	75 hp/55,4 kW
Max. torque at	1800 rpm	1800 rpm	1800 rpm
acc. to ISO 14396	234 Nm	234 Nm	260 Nm
Air intake filter:	•	•	•
2-level dry-air filter with safety cartridge	•	•	•
Electrical system:			
Operating voltage:	12 Volt	12 Volt	12 Volt
Battery capacity:	100 Ah	100 Ah	100 Ah
Alternator rating:	95 A	95 A	95 A

DRIVE	AX 700	AX 850	AX 1000
Hydrostatic, controlled drive, 2 stages for maximum propulsive force, stages shiftable under load, multifunction lever [joystick] for drive and working hydraulics control	•	•	•
Axles: large-scale production planetary axles	•	•	•
Differential lock: manually switched differential lock in both axles, locking value	100%	100%	100%
Wheels:			
tyre size:	12.5-18	12.5-18	365/70 R 18
alternatively:	365/70 R 18	405/70 R 18	405/70 R 18
Speeds:			
road gear:	0-20 km/h	0-20 km/h	0-20 km/h
field gear:	0-7 km/h	0-7 km/h	0-7 km/h
Oscillation: max. oscillation angle	+/- 11°	+/- 11°	+/- 11°

BRAKES	AX 700	AX 850	AX 1000
Working brakes:			
1. hydrostatic inching brake, acting on all 4 wheels	•	•	•
2. hydraulically operated disc brake at the front axle, acting on all 4 wheels	•	•	•
Parking brake:			
Mechanically activated parking brake, acting on all 4 wheels, with deactivation of the drive	•	•	•

STEERING	AX 700	AX 850	AX 1000
Hydrostatic articulated steering	•	•	•
Max. steering angle	2 x 40°	2 x 40°	2 x 40°
Turning radius over rear RK =	3700 mm	3700 mm	3700 mm

HYDRAULIC SYSTEM	AX 700	AX 850	AX 1000
Single circuit hydraulics with central gear pump (lift/lower, tilt, quick-coupler) and steering (via priority valve); three-way control valve with primary and secondary safeguards	•	•	•
Max. power at 2300 rpm:	62 l/min and 250 bar	62 l/min and 250 bar	62 l/min and 250 bar
Floating position for lifting cylinders	•	•	•
Cylinders: 2 lifting cylinders	70 ø	80 ø	80 ø
1 tilting cylinder	90 ø	100 ø	100 ø

PERFORMANCE DATA	AX 700	AX 850	AX 1000
Bucket position:			
Crowd angle	47°	47°	47°
Dump angle top max.	45°	45°	45°
Lifting force at ground position:	3500 daN	4300 daN	4300 daN
Breakout force:	3500 daN	4200 daN	4000 daN
Thrust force:	3800 daN	3800 daN	4100 daN
Tipping load:			
standard bucket, straight	3220 kg	3700 kg	4100 kg
standard bucket, articulated	2900 kg	3300 kg	3680 kg
Payload/machine (even ground):			
on forks, frontal	2100 kg	2350 kg	2610 kg
on forks, articulated	1900 kg	2100 kg	2350 kg

Tipping load according to ISO 14397; Payload according to EN 474-3

FILLING CAPACITIES	AX 700	AX 850	AX 1000
Engine with filters	approx. 8.0 l	approx. 8.0 l	approx. 8.0 l
Fuel tank	approx. 87.0 l	approx. 87.0 l	approx. 87.0 l
Front axle total	approx. 5.9 l	approx. 5.9 l	approx. 5.9 l
Rear axle total	approx. 6.8 l	approx. 6.8 l	approx. 6.8 l
Hydraulic system incl. tank	approx. 60.0 l	approx. 60.0 l	approx. 60.0 l

CHASSIS	AX 700	AX 850	AX 1000
Front and rear chassis with self-stabilising, articulated oscillating centre-pivot for max. stability in articulated position	•	•	•
Monoboom with protected Z-kinematics on the inside for exact parallel guidance of the pallet fork and excellent visibility on working attachments	•	•	•
Operator's cabin with flexible four-point mountings for maximum driver comfort and minimum noise levels	•	•	•
Smooth, precise joystick control	•	•	•

STANDARD FEATURES	AX 700	AX 850	AX 1000
Comfortable panoramic cab with ROPS and removable top	•	•	•
Driver door opens through 180°	•	•	•
Right side window opens through 180° – can be locked in 2 positions	•	•	•
Single piece floor mat for easy cleaning	•	•	•
Tinted windows	•	•	•
Parallel guided windscreen wiper	•	•	•
Rear wiper	•	•	•
Front and rear screen washing device	•	•	•
Heated rear window	•	•	•
2 fold away outside mirrors	•	•	•
Tinted roof window	•	•	•
Steering column is adjustable in inclination	•	•	•
Ergonomic joystick control	•	•	•
Multiply adjustable driver's seat	•	•	•
Safety belt	•	•	•
Sunshade	•	•	•
Heating and ventilation system with recirculation air function	•	•	•
Main battery switch	•	•	•
Interior light	•	•	•
12 V socket	•	•	•
Coat hook	•	•	•
Storage pockets in the cabin	•	•	•
Intuitive modular control panel with onboard computer for machine monitoring	•	•	•
2 driving lights	•	•	•
2 working lights on cabin roof	•	•	•
Single key system	•	•	•
1st proportional auxiliary circuit for quick coupler	•	•	•
Hydraulic brand compatible quick coupler with electric safety device	•	•	•
Towing coupling	•	•	•
Fastening and lifting points	•	•	•
Color scheme: yellow	•	•	•
Operator's cabin, axles and wheels: grey	•	•	•

OPTIONAL EQUIPMENT	AX 700	AX 850	AX 1000
30 km/h version	o	o	o
Wide tires	o	o	o
Beacon light	o	o	o
Interior mirror	o	o	o
Acoustic back up alarm	o	o	o
FOPS grid for cabin roof	o	o	o
Hydraulic hoses for 1st auxiliary circuit	o	o	o
Permanent function for auxiliary hydraulics	o	o	o
Safety valves	o	o	o
Boom suspension	o	o	o
Bio-degradable oil fill for hydraulic system	o	o	o
Pressureless return line	o	o	o
MDRIVE (hand throttle + inching mode on pedal)	o	o	o
Air suspended driver's seat	o	o	o
Glove-box with lid	o	o	o
Radio	o	o	o
Immobilizer	o	o	o
2 working lights rear	o	o	o
Cyclonic filter	o	o	o
Special corrosion protection for salt applications	o	o	o
Attachments as per separate list as pallet fork, load hook etc.	o	o	o

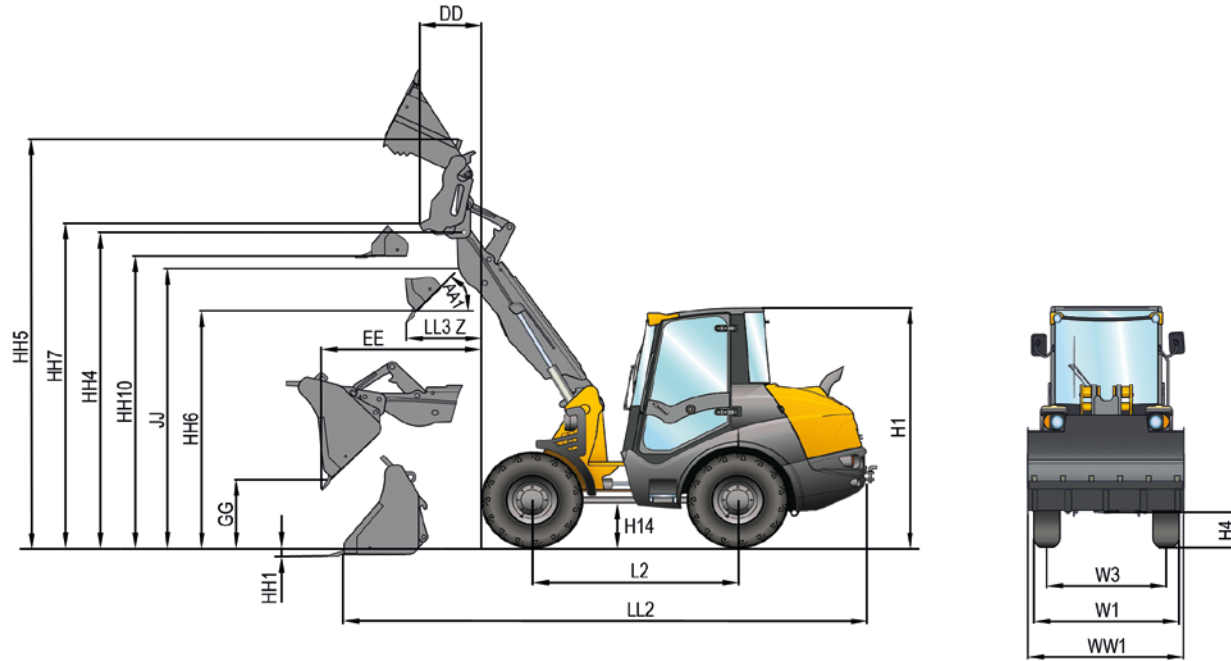
EMISSIONS	AX 700	AX 850	AX 1000
Engine: according to EU 97/68 Stage III B	•	•	•
Noise emission:			
Sound power level LWA ¹	99 dB(A)	99 dB(A)	99 dB(A)
Acoustic power level LpA ²	75 dB(A)	75 dB(A)	75 dB(A)
Vibrations:			
Vibration total value ³	< 2.5 m/s ²	< 2.5 m/s ²	< 2,5 m/s ²
Vibration total value ⁴	< 0.5 m/s ²	< 0.5 m/s ²	< 0,5 m/s ²

¹ According to 2000/14/EG

² According to ISO 6396

³ According to ISO/TR 25398

⁴ According to ISO/TR 25398



AX 700		
BUCKETS		
	STD. 0.70 m ³	4x1 0.65 m ³
AA1	45°	42°
DD		535
EE	1550	1625
GG	735	595
H1	2470	2470
H4	340	340
H14	420	420
HH1	90	105
HH4	3275	3275
HH5	4150	
HH6	2475	2375
HH7		3010
HH10	3030	3010
JJ	2780	2770
L2	2030	2030
LL2	5285	5475
LL3 Z	780	880
W1	1600	1600
W3	1315	1315
WW1	1600	1600

AX 850		
BUCKETS		
	STD. 0.85 m ³	4x1 0.80 m ³
AA1	45°	42°
DD		535
EE	1590	1625
GG	760	595
H1	2470	2470
H4	340	340
H14	420	420
HH1	90	105
HH4	3275	3275
HH5	4150	
HH6	2475	2375
HH7		3010
HH10	3030	3010
JJ	2780	2770
L2	2030	2030
LL2	5285	5475
LL3 Z	780	880
W1	1750	1750
W3	1405	1405
WW1	1850	1950

AX 1000		
BUCKETS		
	STD. 1.00 m ³	4x1 0.95 m ³
AA1	45°	42°
DD		535
EE	1650	1785
GG	700	515
H1	2440	2440
H4	325	325
H14	415	415
HH1	100	140
HH4	3270	3270
HH5	4250	
HH6	2400	2280
HH7		2980
HH10	3015	2980
JJ	2780	2770
L2	2030	2030
LL2	5350	5595
LL3 Z	850	1030
W1	1750	1750
W3	1405	1405
WW1	1850	1950

AX 700 HIGHLIFT		
BUCKETS		
	STD. 0.70 m ³ *	4x1 0.65 m ³ *
HH6	2785	2685

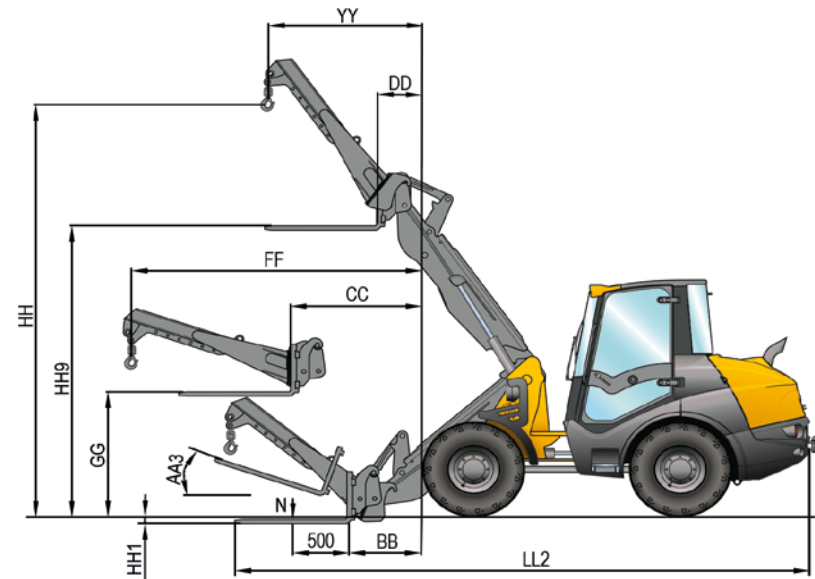
*DENSITY 1.4 m³

AX 850 HIGHLIFT		
BUCKETS		
	STD. 0.85 m ³ *	4x1 0.80 m ³ *
HH6	2785	2685

*DENSITY 1.4 m³

AX 1000 HIGHLIFT		
BUCKETS		
	STD. 1.00 m ³ *	4x1 0.95 m ³ *
HH6	2710	2590

*DENSITY 1.4 m³



AX 700		
	FORKS	LOAD HOOK
AA3	19°	
BB	1085	
CC	1315	
DD	410	
FF		2850
GG	1385	
HH		4510
HH1	100	
HH9	3050	
LL2	5730	6385
YY		1240

AX 850		
	FORKS	LOAD HOOK
AA3	19°	
BB	1085	
CC	1315	
DD	410	
FF		2850
GG	1385	
HH		4510
HH1	100	
HH9	3050	
LL2	5730	6385
YY		1240

AX 1000		
	FORKS	LOAD HOOK
AA3	19°	
BB	1100	
CC	1365	
DD	435	
FF		2865
GG	1355	
HH		4510
HH1	95	
HH9	3065	
LL2	5730	6385
YY		1240

All data based on standard tires.

All data are non-binding.

Changes are reserved without notice.

The order confirmation is exclusively decisive.

 **NOTES**



MECALAC Baumaschinen GmbH

Am Friedrichsbrunnen 2 - D-24782 Büdelsdorf
Tel. +49 (0) 4331/351-319 - Fax +49 (0) 4331/351-470
A company of Groupe Mecalac S.A.

mecalac.com