

Engine output: **47.3 PS (34.8 kW)**

Machine weight: **4,800 kg**

For Earth, For Life
Kubota

R082

KUBOTA WHEEL LOADER



The optimum balance of size, power, and comfort.

Designed with the optimum balance of size, power, and comfort, the R082 offers new levels of efficiency and productivity across a wide range of loading, lifting, and moving tasks. Rugged and dependable, the R082 lets you get more work done in less time and with less effort. And with a full complement of comfort features, the R082 will keep you relaxed and comfortable from start to finish.

KUBOTA ORIGINAL ENGINE

The R082 is powered by a robust 47.3 PS diesel engine. Built by Kubota, this reliable engine features low noise, low vibration, and low fuel consumption.

PERFORMANCE

Performance without compromise from a powerful Kubota-built engine, excellent breakout force, and superior maneuverability and stability.



OPERATOR COMFORT

A full complement of ergonomic features to help you work



High-visibility cabin

The cabin features a fully enclosed glass to improve visibility in all directions. The full-glass left-side door and wide-opening right-side window provide clear views of the conditions outside. The rear of the cabin features rounded glass corners that, combined with the sloped bonnet, provide excellent visibility when reversing. Up front, a wide view and a redesigned Z-bar linkage configuration give you unobstructed views of the pallet fork tips from the driver's seat.

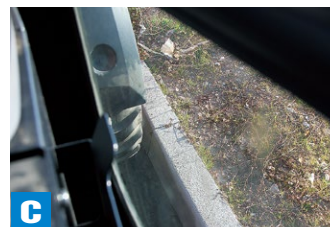
• FROM THE OPERATOR VIEW POINT



A
Pallet fork view



B
Quick Coupler connecting point



C
Side ground view



D
Back ground view

efficiently and comfortably.



A Digital display

Bright and easy-to-read, the digital instrument panel tells you at a glance everything you need to know about the machine's functions and conditions. A full set of diagnostic indicators automatically monitor critical machine conditions, letting you concentrate on the job at hand.



B Full-suspension seat

A full-size, full-suspension adjustable seat enhances operator comfort. The padded seat can be moved forward or back for optimum comfort.

C Multi-function operating lever

All major loader functions are on a single lever that is easy to operate with just one hand. The 2-step speed control switch let you quickly change speeds and work at the optimum speed for the task.



D Tilt steering

With the flick of a lever, the steering wheel can be tilted up or down to the most comfortable and efficient position for drivers of all sizes.

E Adjustable right wrist rest

This feature reduces fatigue by reducing arm movement and allowing you to more easily operate the hand lever.

OPERATOR COMFORT

The spacious cabin's ergonomic layout is designed to keep you working comfortably from start to finish.

SERVICEABILITY

Fast and easy access to all major service components ensures the R082 will be back on the job as quickly as possible.

SAFETY AND SECURITY

As always, security is paramount. A key-based anti-theft system keeps the R082 secure when you're not around. Six tie-down points ensure simple and secure transportation between sites.



KUBOTA WHEEL LOADER

R082

PERFORMANCE

An optimum balance of power and function for the performance you need to get the job done efficiently.



Working range

Long dumping reach and high dumping clearance, make all types of loading jobs easy. This combination allows positioning of loads onto trucks fast and efficient whether using a bucket or pallet forks.

Differential Lock (100% on demand, front + rear)

Should the wheels start to slip, simply press the differential lock switch to immediately engage both front and rear wheels. The result is positive, slip-free traction.

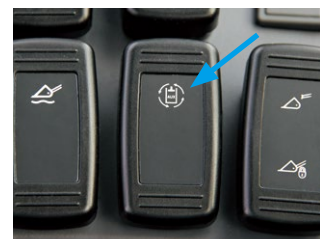
Arm tilt/parallel movement

Transporting a full loaded pallet with the pallet fork, Kubota's arm tilt/parallel movement structure keeps the load upright and steady, even while raising or lowering the lift arm.



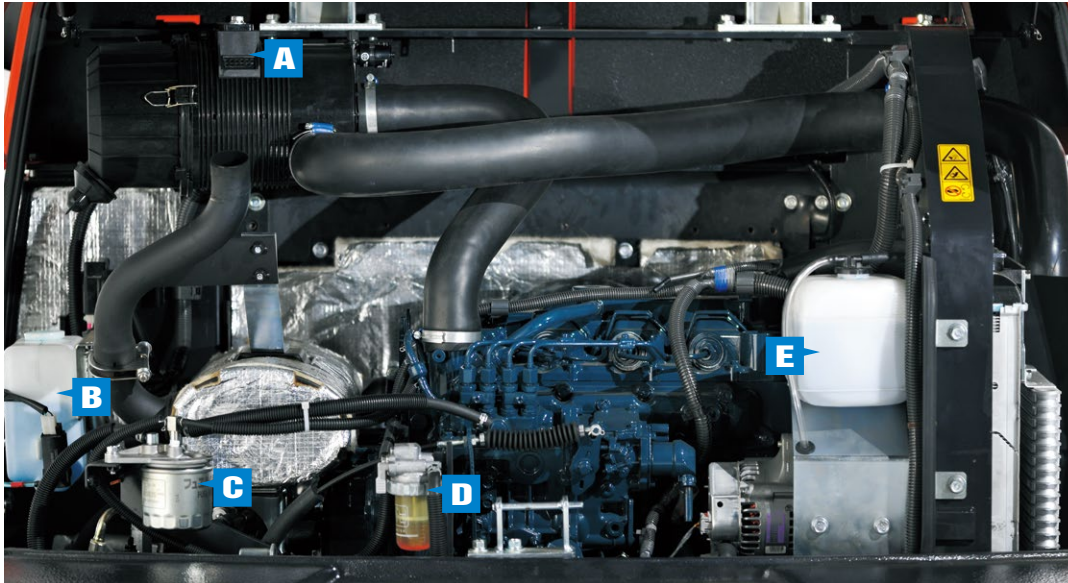
AUX hold switch

A simple push of the AUX hold switch sets and maintains the hydraulic oil flow for the implement.



SERVICE, SAFETY, AND SECURITY

A variety of service and safety features let you work safer and more securely.



- A** Dual Element Air Cleaner
- B** Washer Tank
- C** Fuel Filter
- D** Water Separator
- E** Reserve Tank

Easy maintenance

The engine bonnet at the rear opens wide, providing quick and easy access to the machine's main service areas. Items that require routine maintenance and service are within easy reach for fast and simple servicing. Quick-open panels on the right and left sides provide speedy access to the fuel refill (right side) and battery (left side). Other areas of the R082 are also easy to service and maintain.



Kubota anti-theft system

Your R082 is protected by Kubota's reliable anti-theft system. Only programmed keys will enable the engine to start up. Attempting to start with an un-programmed key will activate the alarm. Its features include an alert to remind the operator to extract the key after operation, and an LED to alert potential thieves that the system is activated.

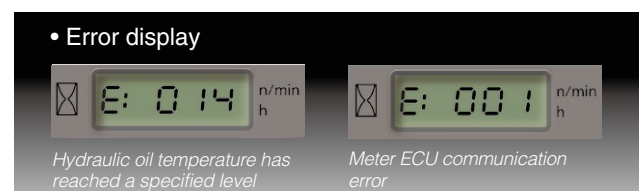
Simple and secure transportation

With an overall height below 2500 mm, the R082 slips easily under road bridges for fast and safe transportation between job sites. Six tie-down points allow simple yet secure attachment to a truck bed for safety during transportation.



Digital diagnostic indicators

A bright easy-to-read digital diagnostic indicator keeps you fully informed of critical loader and engine conditions.



Standard Equipment

Engine/Fuel system

- KUBOTA original engine (Stage III A)
- Double-element air cleaner
- Fuel level indication buzzer

Travel system

- Changeable 2 level-travel speeds
- Differential lock (100% on demand, front and rear)
- Wet type disc brake
- Negative brake (parking brake)

Hydraulic system

- Hydrostatic transmission
- Multi function operating lever with AUX proportional control
- Hydraulic lock switch
- AUX flow hold switch
- Inching and brake pedal (left)
- Attachment unlock switch
- Float switch

Cabin

- Cabin with heater
- 2 front working lights on the cabin
- Weight-adjustable suspension seat (fabric seat) with left arm rest and back rest
- Retractable seatbelt
- Digital panel with diagnosis function
- ROPS (Roll-over Protective Structure, ISO3471)
- FOPS (Falling Object Protective Structure, Level1, ISO3449)

- Radio installation (bracket, speaker, antenna, harness)
- Side mirrors
- Emergency exit hammer
- 12V power outlet
- Sun visor
- Tilt steering
- Adjustable right wrist rest

Canopy

- Weight-adjustable suspension seat (PVC seat) with left arm rest and back rest
- Retractable seatbelt
- Digital panel with diagnosis function
- ROPS (Roll-over Protective Structure, ISO3471)
- FOPS (Falling Object Protective Structure, Level1, ISO3449)
- Side mirrors
- 12V power outlet
- Tool storage space (under seat)
- Tilt steering
- Adjustable right wrist rest

Working equipment

- 2 Head lights (Headlights and Signal Lights)
- Hydraulic quick coupler
- Z-bar linkage with parallel movement
- Rear combination light (Turn signal, Tail light, Brake light, Back light)
- Bucket level indicator

Safety

- 6 Tie down points
- Wheel chock
- Lift arm support
- Battery isolator
- Towing pin

Others

- KUBOTA original anti-theft system
- Maintenance free battery
- Grease gun holder
- Cup holder

Optional Equipment

Cabin

- Beacon light
- Cabin with air conditioner

Canopy

- Beacon light
- 2 front working lights

Working equipment

- Safety valve for lift arm

Others

- Bio oil
- Brake pedal (right)
- Shock absorber for lift arm
- Tool box
- Rear working lights
- Wire harness with socket (front, rear)
- Special colour
- Various tyres
Multipurpose: 12.5-20 317MPT (Alliance)
Industrial: 405/70 R18, SPT9 EM (Dunlop)
Agriculture: 400/70 R20, XMCL (Michelin)
- Various buckets and other attachment on request

SPECIFICATIONS

Model		R082	
Operating weight* (canopy/cabin)		kg	4635 / 4800
Bucket capacity		m ³	0.85
Engine	Manufacturer		Kubota
	Model		Water-cooled V2607-DI-E3
	Horse power (ISO9249)	kW/rpm	34.8 / 2400
		PS/rpm	47.3 / 2400
	Number of cylinders		4
Displacement		cc	2615
Transmission	Type		Hydrostatic transmission
Operational specifications with bucket	Tipping load, straight (ISO14397-1) (canopy/cabin)		kg 3400 / 3580
	Tipping load, full turn (ISO14397-1) (canopy/cabin)		kg 2980 / 3140
	Max. lifting capacity at ground level		kN 37.6
	Breakout force (ISO14397-2)		kN 48.6
Operational specifications with pallet fork	Tipping load, full turn (ISO14397-1) (canopy/cabin)		kg 2380 / 2500
	Max. payload (EN 474-3) 80%	kg	1900 / 2000
	Max. payload (EN 474-3) 60%	kg	1420 / 1500
Travelling	Tyre size		12.5-18
	Travelling speed	Forward	km/h 0 to 20
		Reverse	km/h 0 to 20
	Traction force		kN 29.1
	Front / rear axle		Differential lock 100%
Angle of oscillation		Deg. ±8	
Auxiliary circuit	Max. flow rate	ℓ/min	71.4
	Max. hydraulic pressure	MPa	20.6

Noise	Sound pressure level (LpA)(canopy/cabin) dB (A)	84 / 74
	Sound power level (LWA)(canopy/cabin) dB (A)	101 / 101
Capacity	Fuel tank	ℓ 70
	Hydraulic oil tank	ℓ 39
	Hydraulic oil tank, incl. hydraulic system	ℓ 57
	Engine oil	ℓ 9
	Front / rear axle oil	ℓ 4.5

Specifications are subject to change without notice.

Data is valid with general purpose bucket (standard width) and standard tire (12.5-18").

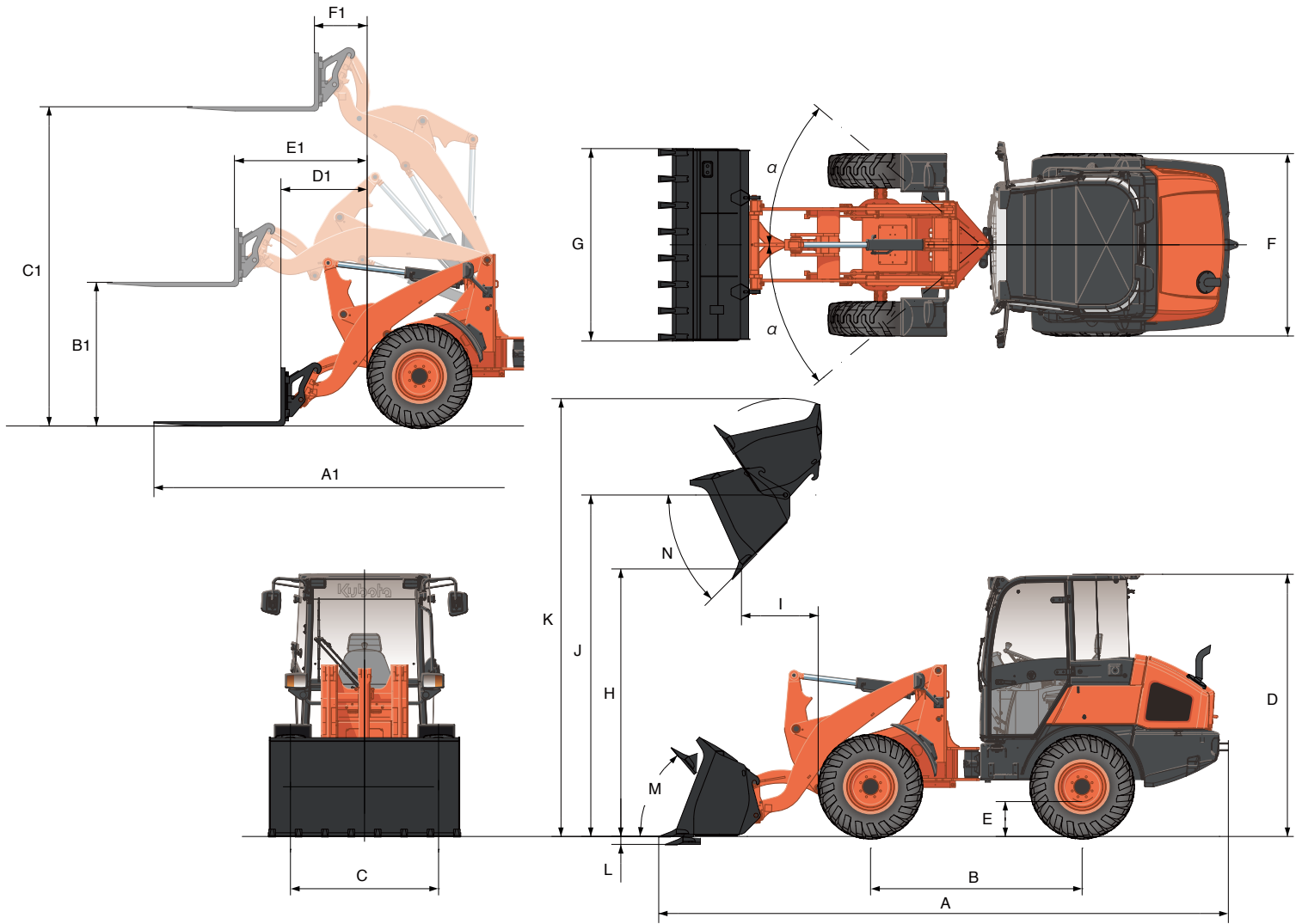
* Operating weight is including original bucket and 75kg operator

BUCKET

Model		R082			
Type of bucket	General purpose bucket (standard)	General purpose bucket (wide)	4 in 1 bucket (standard)	4 in 1 bucket (wide)	
Capacity	m ³ 0.85	0.88	0.8	0.83	
Width	mm 1820	1890	1820	1890	
Weight	kg 340	349	540	552	
Bulk density	t/m ³ 1.9	1.8	1.75	1.67	
Recommend tyre	12.5-18 317 MPT (Alliance)	405/70 R18 STP9 EM (Dunlop)	12.5-18 317 MPT (Alliance)	405/70 R18 STP9 EM (Dunlop)	
	12.5-20 317 MPT (Alliance)	400/70 R20 XMCL (Michelin)	12.5-20 317 MPT (Alliance)	400/70 R20 XMCL (Michelin)	

PALLET FORK

Model		R082	
Fork length	mm	1000	
	mm	1200	



WORKING RANGE

With Bucket Attachment			R082	
			General purpose bucket	
			Standard width	
Machine dimension	A	Overall length	mm	5395
	B	Wheelbase	mm	2000
	C	Tread	mm	1400
	D	Overall height (canopy / cabin)	mm	2460 / 2480
	E	Ground clearance	mm	330
	F	Overall width (outside of tires)	mm	1725
	G	Overall width (bucket)	mm	1820
	Working range	H	Dumping clearance (w/o teeth)	mm
I		Dumping reach (w/o teeth)	mm	725
J		Max. hinge pin height	mm	3230
K		Max. lifting height	mm	4140
L		Digging depth	mm	75
Others	M	Tilt back angle (at traveling position)	Deg.	50
	N	Dumping angle	Deg.	45
	α	Articulation angle	Deg.	40
		Turning radius (track circle)	mm	3445

With Pallet Fork Attachment			R082	
Fork length			mm	1200
Working range	A1	Overall length	mm	5700
	B1	Height of forks at Max. reach	mm	1360
	C1	Height of forks at Max. height	mm	3020
	D1	Reach at ground level	mm	815
	E1	Max. reach	mm	1255
	F1	Reach at Max. height	mm	500

Specifications are subject to change without notice.
Data is valid with general purpose bucket (standard width) and standard tyre (12.5-18").

Fluorinated greenhouse gases				
Air conditioner gas contains fluorinated greenhouse gases.				
CAB model	Industrial designation	Quantity (kg)	CO ₂ equivalent (ton)	GWP
R082	HFC-134a	0.7	1.01	1430
<small>(Global Warming Potential: GWP)</small>				

★ All images shown are for brochure purposes only.
When operating the wheel loader, wear clothing and equipment in accordance to local legal and safety regulations.

KUBOTA EUROPE S.A.S.

19 à 25, rue Jules Verceyusse
Zone Industrielle - B.P. 50088
95101 Argenteuil Cedex France
Téléphone : (33) 01 34 26 34 34
Télécopieur : (33) 01 34 26 34 99

KUBOTA (U.K.) LTD

Dormer Road, Thame, Oxfordshire,
OX9 3UN, U.K.
Phone : 01844-268140
F a x : 01844-216685

<http://www.kubota-eu.com>

KUBOTA Baumaschinen GmbH

Steinhauser Straße 100
D-66482 Zweibrücken Germany
Telefon : (49) 0 63 32 - 487 - 312
F a x : (49) 0 63 32 - 487 - 101

Cat. No.8931-01-EU '17-03D.